



P20 Professional LED Photography Light

使用说明书

一、承蒙您惠顾

为正确使用本产品，请先仔细阅读此说明书，并熟悉其操作步骤，注意保存此说明书，以备参考。

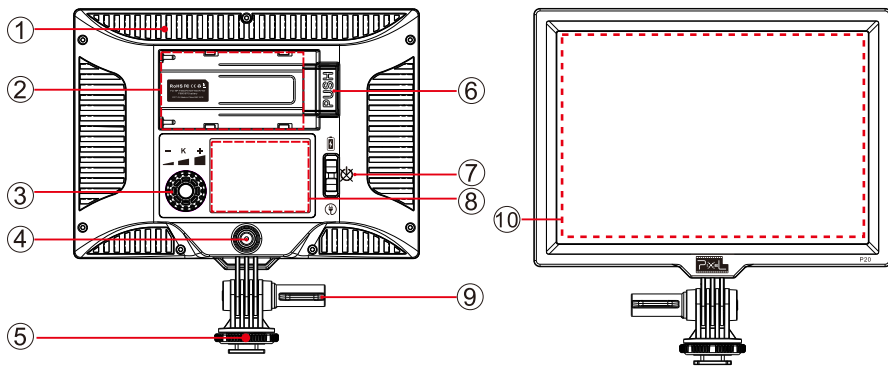
二、产品简介

非常感谢您购买和使用品色P20专业LED摄像灯，品色P20是专业摄像、录影补光的好助手，具备了补光的高性能配置。精选优质LED灯珠、具有高亮度、高指数、超长寿命、色温精准等优点，并采用专业、先进驱动电路设计，保证低损耗高效率转换输出，真正做到环保节能。是您不可缺的拍摄能手，让您的拍摄创意无限，如影随形，随心而动！

三、产品参数

色温	3200K-5600K	功率	16W
流明	1080LUX	指数	>95
DC接口	DC 7-12V > 2A	工作环境	-10°C—40°C
寿命	50000小时	调光	可调光
重量	256G	尺寸	172x129x25MM

四、产品部件说明



- ① 散热孔 ② 锂电池座 ③ 调节亮度/色温/切换开关 ④ 电源适配器插口 ⑤ 热靴固定脚
- ⑥ 电池卡口按键 ⑦ 电源开关 ⑧ LED显示屏 ⑨ 角度调节旋钮 ⑩ LED灯珠

五、操作说明

1. 锂电池座

将电池安装在卡座上，直接将电池往左推插入，如果要移除电池，请按下PUSH在把电池推右拉出。
(适用索尼NP-F/NP-FM系列锂电池)

2. 热靴固定脚

拧松螺母可把此灯插进相机/摄影机或带有热靴座的产品上并拧紧锁上。

3. 角度调节旋钮

拧松旁边的把手，可往上下调节角度共180度。

4. 电源适配器接口

可直接使用电源适配器供电，但必须把电源切换开关切换到电源适配器供电，适配器电压范围7V-12V > 2A。

5. 调节亮度/色温/切换开关

开机状态下，旋转亮度微调旋钮 [③] 对LED亮度进行调整，显示屏会显示当时的亮度，可调节范围1%-100%，按下 [⑥] 旋钮中间按键切换进入双色温调整模式，此时显示屏在闪烁，微调旋钮调节双色温3200-5600K，在按下中间按键停止闪烁或约等8秒停止闪烁，此时调整亮度大小。

6. 电源开关

切换开关分有三档，推上 [⑦] 是锂电池供电，中间是关闭，推下 [⑦] 是适配器电源供电。

六、注意事项

1. 在通电前，一定要确认电源适配器、电源连接线与LED灯的正确连接。
2. 本产品属电子产品的附件，有可能因环境因素，而造成异常问题，这种情况的可能性非常小。
3. 不要使元件受到强烈震动，否则可能引起产品发生故障。
4. 长时间不使用时，请将电源关闭。
5. 请勿置于高温中或阳光直射下的封闭空间等高温地方。
6. 请保持干燥，勿用湿手接触产品，亦不可以将产品浸入水中或暴雨中，否则可能引起无法正常使用。
7. 请勿在易燃气体中使用，违反此警告可能引起爆炸或火灾。
8. 本产品涉及电池，关于电池的使用请严格按照相应的操作规范否则可能引起爆炸、火灾。

感谢您购买品色公司产品并阅读本说明书，如有任何疑问可以向当地经销商咨询，或登入 <http://www.pixelhk.com.cn> 查询。

制造商：东莞市宝易电子科技有限公司

地址：东莞市大朗镇金朗南路255号

电话：400-8084899

网址：www.pixelhk.com.cn

执行标准：Q/PSKJ 004-2016

Made in china



RoHS FC



PL-1249-01V01



P20 Professional LED Photography Light

Instruction Manual

Overview

Before using this product, you must read the manual and fully understand how to use it and ensure that you can easily handle the operation method and also use it properly.

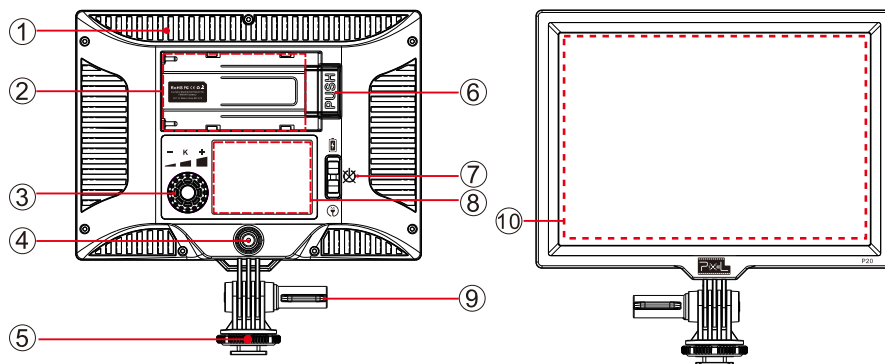
Product Introduction

Thank you for choosing Pixel P20 Professional LED Photography Light. Pixel P20 is a professional with high performance photography or video filling light. Select imported high quality LED bulb which feature ultra-high brightness, CRI, ultra-long lifetime and color temperature accurate. Advanced drive circuit design its guarantee lower loss conversion rate and make it more eco-friendly and energy-saving. This is indispensable for professional photographer and videographer making your shooting more creative.

Specification

Color	3200K-5600K	Power	16W
Lumen	1080LUX	CRI	>95
DC Input	DC 7-12V > 2A	Working	-10°C-40°C
Lifetime	50000Hrs	Brightness	Available
Weight	256G	Dimension	172x129x25MM

Name of Each Part



- ① Vents ② Battery Compartment ③ Bright and Color Adjust Switch ④ DC Adapter Socket
 ⑤ Hot Shoe Holding Base ⑥ Battery Lock Clip ⑦ Power Switch
 ⑧ High Definition Display ⑨ Angle Adjust Knob ⑩ LED Bulb

Operation

1. Battery Compartment

Insert battery on the compartment and slide the battery to left. If need to remove the battery, please press PUSH and slide the battery to right. (Compatible with Sony NP-F/NP-FM battery)

2. Hot Shoe Holding Base

Release the screw to put this LED light on camera/camcorder or the product come with hot shoe holder then tighten it.

3. Angle Adjust Knob

Release the knob to adjust the light angle in 180 degree.

4. DC Adapter Socket

Using DC adapter to supply the power for the LED light but the power switch must be switch to DC power icon. Adapter voltage range is 7~12V>2A.

5. Bright and Color Adjust Switch

Rotate the switch to adjust the LED brightness. Display shows the existing bright level and the adjustable range between 1%~100%. Press the button middle of the switch enter to color temperature adjust mode. The color temperature level on display will flashing. Rotate the switch to adjust the color temperature between 3200K~5600K. Press the button or leave for 8sec to confirm the setting. The color temperature level stop flashing which mean you can rotate the switch to adjust the brightness again.

6. Power Switch

Power switch have 3 steps, to up is using lithium battery power. Middle is off mode, to down is using DC adapter power.

Precautions

1. Make sure the power adapter, power cable and LED light are installed correctly before power-on.
2. This product involved in electronic product accessories which may cause the failure to use of this device. But this possibility is very low.
3. Do not put this product in strong vibration, or it may cause fault of this product.
4. Power off the device and remove the batteries during long periods of non-use.
5. Do not expose this product in high temperature locations, such as confined car exposed to strong direct sunlight, control panel and other overheating places.
6. Keep it dry. Do not touch this product with wet hand. Do not expose this product to water or rain, or you may not be able to use it.
7. Do not use it inflammables gas, or it may cause explosion or fire.
8. This product involved in battery. Please strictly follow the corresponding operations related to battery, or it may cause explosion or fire.

Thank you for choosing Pixel Enterprise Limited product and read this user manual. Should you have any questions, please contact the local dealer or visit our website: <http://www.pixelhk.com>



PL-1249-01V01