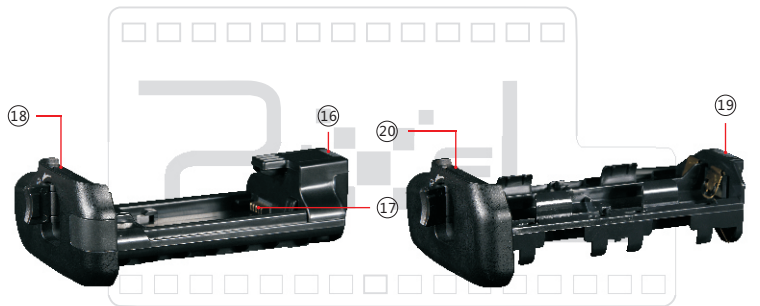




使用說明書 Instruction Manual

電池盒兼手柄 Battery Grip Vertax D12 For Nikon D800



部件名稱 (Name of each part)

- | | |
|-------------------------------------|---|
| ① 保護蓋 | ① Contact cap |
| ② 相機保護蓋支架 | ② Holder for camera contact cover |
| ③ 電源/信號接觸點 | ③ Power/signal contacts |
| ④ AF-ON按鈕 | ④ AF-ON button |
| ⑤ 主指令撥盤 | ⑤ Main command dial |
| ⑥ 多重選擇器 | ⑥ Multi selector Attachment wheel |
| ⑦ 鎖定螺旋鈕 | ⑦ Attachment wheel |
| ⑧ 電池座電源連接器蓋 | ⑧ Holder power connector cover |
| ⑨ 電池倉鎖把手 | ⑨ Battery magazine release handle |
| ⑩ 定位銷 | ⑩ Guide pin |
| ⑪ 固定螺絲 | ⑪ Mounting screw |
| ⑫ 快門釋放按鈕 | ⑫ Shutter-release button |
| ⑬ 控制鎖 | ⑬ Control lock |
| ⑭ 副指令撥盤 | ⑭ Sub-command dial |
| ⑮ 三腳架插孔 | ⑮ Tripod socket |
| ⑯ 電源終端 | ⑯ Power terminals |
| ⑰ 電源終端 | ⑰ Power terminals |
| ⑱ Vertax Vt-A12電池夾
(用于EN-EL15電池) | ⑱ Vertax Vt-A12 magazine
for EN-EL15 batteries |
| ⑲ 電源終端 | ⑲ Power terminals |
| ⑳ AA電池夾(用于AA電池) | ⑳ Vertax D12 magazine for AA batteries |

電池盒兼手柄

使用說明書

感謝你購買品色產品。

Vertax D12是一個可以裝一個電池EN-EL15或8個AA/LR6尺寸電池的電池盒兼手柄。本電池手柄具備一個交替式快門釋放按鈕，AF-ON按鍵，多重選擇器及用於在縱向拍攝照片的主副指令撥盤。在使用本產品之前，請務必仔細閱讀本使用說明書。請務必妥善保管好本書，以便日後能隨時查閱。請在充分理解內容的基礎上，正確使用。

注意事項

- 1、Vertax D12祇能用于其兼容的相機。
- 2、為了防止因金屬物質接觸電源終端或電源/信號接觸點而引起的短路，不使用Vertax D12時，請蓋上保護蓋。
- 3、當從Vertax D12取下電池夾時，為防止因接觸其它金屬物體而引起短路，請取出電池，將電池夾或電池蓋放入電池夾盒中保存。
- 4、安裝或從相機取出Vertax D12時，存儲卡存取指示燈可能點亮，但這不是故障。
- 5、安裝電池時極性切勿弄反，否則電池可能滲漏腐蝕性液體、發熱或爆炸。
- 6、請勿置于高溫中，如陽光直射下的封閉汽車內、控制面板等高温地方。
- 7、請保持乾燥，勿用濕手接觸產品，亦不可將產品浸入水中或暴露雨中，否則可能引起無法正常使用。
- 8、請勿在易燃氣體中使用，違反此警告可能引起爆炸或火災。
- 9、本產品涉及電池，關於電池的使用請嚴格按照相應的操作規範，否則可能引起爆炸、火災或人身傷害。

安裝Vertax D12

安裝相機前，請確認Vertax D12的控制鎖處於鎖定狀態（圖1-A），以防止無意間被使用。使用這些控制按鈕以豎直（人像）方向拍攝照片前，請按照（圖1-B）所示解除鎖定。

控制鎖不是電源開關。請使用相機電源開關開啓或關閉相機。

- 1、從Vertax D12上取下保護蓋(圖2)。
- 2、從相機底部取下保護蓋，安裝到Vertax D12相機保護蓋支架上(圖3)。
- 3、定位Vertax D12，使Vertax D12固定螺絲（圖4-B）與相機三腳架插孔（圖4-A）對齊(圖4)。
- 4、按照LOCK的箭頭所示方向旋緊鎖定螺旋鈕(圖5)。

卸下Vertax D12

當你要卸下Vertax D12，請關閉相機並將Vertax D12上的控制鎖撥動到L位置。然後旋鬆鎖定螺旋鈕，即可卸下Vertax D12。

為防止不必要的電源流失或其它接觸所產生的不必要問題，不使用時，請務必卸下和蓋上相機和Vertax D12上各自的保護蓋。

安裝電池

Vertax D12可與1塊EN-EL15鋰離子可充電電池或8節AA電池一起使用。在插入電池前，請確保相機電源處於關閉狀態，並且Vertax D12控制鎖處於L位置。

- 1、將電池盒鎖把手向上撥(圖6)，旋轉電池盒鎖把手至(圖7)，取出電池盒(圖8)。
- 2、安裝方法：

EN-EL15: 將電池的凹槽對準Vertax Vt-A12電池夾上的突起部分，然後以電池上的箭頭（▲）朝電池座電源終端的方向插入電池。向下輕按電池，將其按照箭頭所示方向滑入，直到電源終端卡到正確位置發出嗒嗒聲(圖9)。

AA電池: 將8節AA電池裝入AA電池夾，同時請確保電池的裝入方向正確(圖10)。

- 3、將電池夾插入Vertax D12并鎖住電池蓋。在鎖住前，請確認電池夾已完全插好。
- 4、開啓相機并在控制面板或取景器中檢查電池電量級別。若相機未開啓，請確認電池已正確插入。

● EN-EL15 電池

當溫度低於約10°C時，EN-EL15電池的性能會減弱。請務必將電池充滿電，並準備好一個暖和的備用電池以便需要時進行更換。電池回暖後，其電量將會有所恢復。

● AA 電池

由於AA LR6鹼性電池的容量有限，請僅在沒有其它電池可供選擇時使用。AA電池的容量隨制作工藝和儲存環境的不同而變化，有時容量可能極其低；在某些情況下，AA電池可能會在使用壽命未到之前停止工作。請注意AA電池的容量在周圍環境溫度低於20°C時可能會降低。不建議在低溫環境中使用。

電池設定

- 1、為確保相機由AA電池供電時能正確顯示電池電量，請在相機個人設定菜單（d11組）的電池類型中選擇合適的選項。若未選擇正確的選項，相機將可能無法正常操作(圖A)。

2、電池資訊可從相機設定菜單中查看(圖B)。

- 3、當相機由Vertax D12供電時，(B)圖標將顯示在控制面板中。若(B)圖標閃爍，表示電池蓋未鎖好，請關閉并鎖上電池蓋。



隨附物品

Vertax D12電池盒兼手柄	1個
Vertax Vt-A12電池夾(用于EN-EL15電池)	1個
AA電池夾(用于AA電池)	1個
說明書	1份

規格

電源	一個EN-EL15電池 8個AA/LR6尺寸鹼性電池
工作溫度範圍	0°C~+40°C
尺寸	約150.8x54.8x77.4mm
重量	約219.8克(不含電池和電池夾的重量)

產品規格及外觀如有變化，恕不另行通知。

本說明書中的信息更新至2012年06月01日，如果要與此日期之後發布的產品組合使用，有關信息請向品色經銷商諮詢。

現在，你可以體驗無與倫比的品色產品。如有任何疑問可以向當地經銷商諮詢，或登陸 <http://www.pixelhk.com.cn> 查詢

製造商：品色（香港）企業有限公司
地址：香港九龍荔枝角青山道704號合興工業大廈4樓
電話：(852) 2384-1188

Battery Grip Vertax D12

Instruction Manual

Thank you for purchasing a PIXEL product.

Vertax D12 can be used with 1pc of EN-EL15(rechargeable battery) or 8 pcs of AA/LR6 batteries . it is equipped an alternate shutter-release button ,an AF-ON button , multi selector and main&sub-command dials.

Please read this manual carefully before use this product
Please keep this instruction manual carefully for the future access.

Please use the product based on you've well understood the instruction manual .

Caution

- 1、The Vertax D12 is for use with compatible cameras only.
- 2、To prevent electrical shorts caused by metal objects touching the power terminals, replace the contact cap when the Vertax D12 is not in use.
- 3、When a battery holder is removed from the Vertax D12, remove the batteries and put the holder or cover in the holder case to prevent electrical shorts caused by contact with other metal objects.
- 4、The memory card access lamp may light up when the Vertax D12 is attached or removed from the camera, but this is not malfunction.
- 5、The batteries should be installed correctly. Reverse polarity may cause batteries to leak corrosive liquids, heat or explosion.
- 6、Do not store in a high temperature, such as an enclosed car under direct sunlight , the dashboard and other high-temperature areas.
- 7、Keep dry, do not contact wet hands with the product. Do not immerse in water or exposed to rain as this may lead to failure of the device.
- 8、Do not use near flammable gases. Failure to follow this warning may cause explosion or fire.
- 9、This product includes batteries; please strictly follow the instruction for proper operation. Failure to follow this may cause explosions, fire or personal injury.

Attach Vertax D12 to camera

Be sure the Vertax D12 control lock on the locked position (Figure1-A) before attach to camera. Before using the camera as vertical side, please turn the control lock as unlocked (Figure1-B).

The control lock is not a power switch. Use the camera power switch to turn the camera on and off .

- 1、Remove the contact cap (Figure 2) from the Vertax D12 battery grip.
- 2、Remove the contact cover, and replace it in the contact cover holder on the Vertax D12(Figure3)
- 3、Hold the Vertax D12; Vertax D12 mounting screw (Figure4-B) aligned with the camera tripod socket (Figure4-A)
- 4、Follow the arrow direction to tight lock the battery grip on camera. (Figure 5)

Remove the Vertax D12

To remove the Vertax D12, turn the camera off and set the control lock on the Vertax D12 to L, then loosen the attachment wheel and remove the Vertax D12.

Be sure to replace the contact cover on the camera and the contact cap on the Vertax D12 when the battery pack is not in use.

Inserting Battery

The Vertax D12 can be used with one EN-EL15 rechargeable Li-ion battery, or with 8 AA batteries. Before inserting batteries, be sure that the camera is off and that the Vertax D12 control lock is in the L position.

- 1、Flip the Vertax D12 battery magazine release handle to up (Figure6) and rotate it as 90degree (圖7), release the battery magazine(Figure8).
- 2、Installation Method:

EN-EL15: Matching the indentations on the battery to the projections on the Vertax Vt-A12 magazine, insert the battery with the arrow (▲) on the battery toward the battery holder power terminals . Press the battery lightly downward and slide it in the direction of the arrow until the power terminals click into place (Figure9).

AA battery: Place 8pcs AA battery in the AA magazine for AA battery as shown in (Figure10), make sure these batteries are in the correct position.

- 3、Insert the battery holder in the Vertax D12 and latch the battery-chamber cover . Make sure the holder is fully inserted before turning the latch.
- 4、Turn the camera on and check the battery level in the control panel or viewfinder. If the camera does not turn on, check that the battery is correctly inserted

● EN-EL15 Battery

The performance of EN-EL15 battery drops at temperatures below about 10 °C (50 °F). Be sure the battery is fully charged and keep a warm spare battery on hand ready to exchange as necessary. Cold batteries will recover some of their charge when warmed.

● AA Batteries

Due to their limited capacity, AA LR6 alkaline batteries should be used only when no other alternative is available. The capacity of AA batteries varies with make and storage conditions and may in some instances be extremely low; in some cases, AA batteries may cease to function before their expiry date. Note that the capacity of AA batteries may drop at temperatures below 20 °C (68 °F). Use is not recommended at low temperatures.

Battery Setting

- 1、To ensure that the camera shows the correct battery level when AA batteries are used, choose the appropriate option for battery type in the camera Custom Settings menu (Group d11). If the correct option is not selected, the camera may fail to function as expected(Figure A).

2、Battery status can be checked in camera setting menu(Figure B).

- 3、When the camera is drawing power from the Vertax D12, a (B) icon is displayed in the control panel. If the (B) icon blinks, the battery-chamber cover is not locked. Close and latch the battery-chamber cover.



Included items

Battery Grip Vertax D12	1PC
Vertax Vt-A12 magazine for EN-EL15 battery	1PC
Vertax D12 magazine for AA batteries	1PC
Instruction Manual	1PC

Specifications

Battery	One EN-EL15 battery	8pcs AA/LR 6 Alkaline Battery
Working temperature	0°C~+40°C	
Dimensions	Approx. 150.8x54.8x77.4mm	
Weight	Approx. 219.8g(without batteries and battery magazine)	

The product specifications and exterior are subjected to change without notice.

This manual information is updated at 1st June, 2012. If you wish to use this product combined with other Pixel products published after this date; please consult with the PIXEL dealer for further information.

Now you can start to use incredible PIXEL product. If you have any question, please contact your local dealer or visit to <http://www.pixelhk.com>

